



16574329
Edition 3
January 2011

Air Percussive Chipping Hammer

"A" Series and "W" Series

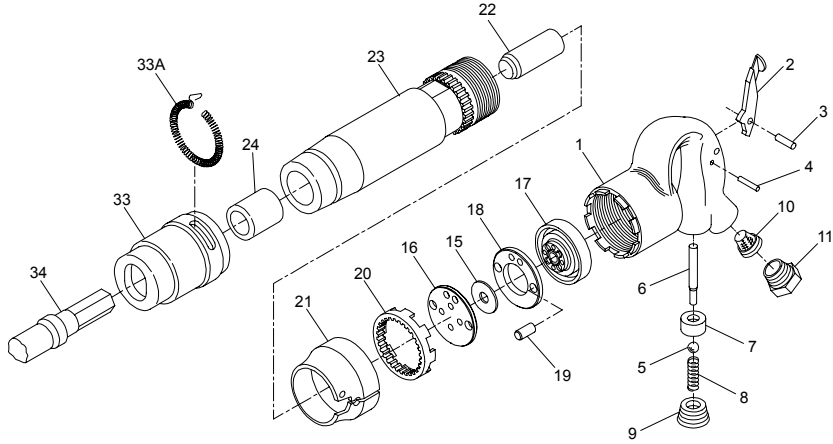
Parts Information



Save These Instructions

 **Ingersoll Rand**

"A" Series and "W" Series Chipping Hammer Exploded Diagram



(Dwg. TPC310-3)

"A" Series and "W" Series Chipping Hammer Parts List

Item	Part Description	Part Number	Item	Part Description	Part Number
1	Grip Handle	HH-1B	18	Valve Spacer	HH-8A
2	Throttle Lever	C-134	19	Dowel Pin (2)	HH-32
3	Throttle Lever Pin	C-15	20	Locking Ring	HH-196A
4	Throttle Lever Stop Pin	H02-74	21	Exhaust Deflector	HH-85AP
++ 5	Throttle Valve Ball	HH-602A	22	Piston	
++ 6	Throttle Valve Plunger	HH-604A		for Model 1A, 2A, W1 or W2	
++ 7	Throttle Valve Plunger Bushing	HH-603A		Standard (2-5/8")	HH1-5
++ 8	Throttle Valve Spring	HH-51		.004" oversize	HH1-5-4
9	Throttle Valve Cap	HH-266		.008" oversize	HH1-5-8
10	Air Strainer	834-61		.012" oversize	HH1-5-12
11	Inlet Bushing			for Model 3A, 4A, W3 or W4	
	Standard (7/8"-24 x 3/8" NPT)	H-282		Standard (2-15/16")	HH4-5
	.012" oversize	H-282-12		.004" oversize	HH4-5-4
15	Valve	HH-2A		.008" oversize	HH4-5-8
16	Valve Seat	HH-3		.012" oversize	HH4-5-12
17	Valve Cap	HH-4		.016" oversize	HH4-5-16

++ Items 5 through 8 are not compatible with tools that have serial numbers that begin with SA, SB, SC, ... through SP.

"A" Series and "W" Series Chipping Hammer Parts List

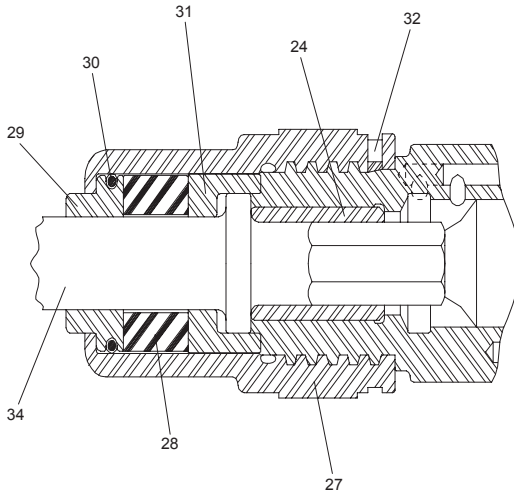
Item	Part Description	Part Number	
23	Barrel Assembly		
+	Barrel Grooved to accept Arrow, Ajax and other commercial Retainers; with Hexagon Nozzle		
	for Model 1	HH1-AH106	
	for Model 1-EU	HH1-EU-AH106	
	for Model 2	HH2-AH106	
	for Model 2-EU	HH2-EU-AH106	
	for Model 3	HH3-AH106	
	for Model 3-EU	HH3-EU-AH106	
	for Model 4	HH4-AH106	
	for Model 4-EU	HH4-EU-AH106	
	Barrel Grooved to accept Arrow, Ajax and other commercial Retainers; with Round Nozzle		
	for Model 1	HH1-AR106	
	for Model 1-EU	HH1-EU-AR106	
	for Model 2	HH2-AR106	
	for Model 2-EU	HH2-EU-AR106	
	for Model 3	HH3-AR106	
	for Model 3-EU	HH3-EU-AR106	
	for Model 4	HH4-AR106	
	for Model 4-EU	HH4-EU-AR106	
	+	Barrel Threaded to accept Ingersoll Rand Retainer (27); with Hexagon Nozzle	
		for Model W1	HHW1-AH6
for Model W1-EU		HHW1-EU-AH6	
for Model W2		HHW2-AH6	
for Model W2-EU		HHW2-EU-AH6	
for Model W3		HHW3-AH6	
for Model W3-EU		HHW3-EU-AH6	
for Model W4		HHW4-AH6	
for Model W4-EU		HHW4-EU-AH6	
Barrel Threaded to accept Ingersoll Rand Retainer (27); with Round Nozzle			
for Model W1		HHW1-AR6	
for Model W1-EU		HHW1-EU-AR6	
for Model W2-EU		HHW2-EU-AR6	
for Model W3		HHW3-AR6	
for Model W3-EU		HHW3-EU-AR6	
for Model W4		HHW4-AR6	
for Model W4-EU		HHW4-EU-AR6	
24		Nozzle (Standard Size)	
		Hexagon	B01-7B
		Round	B01-19B
*	Warning Label (for models ending in S, SA, A1 or A2 only)	WARNING-6-99	
*	Oversized Hexagon Nozzle (.0005" oversize)	B01-7B-5	

* Not illustrated.

+ Barrel Assemblies with Hexagon nozzles are shipped unassembled. The Hexagon Nozzle is included but must be installed in the Barrel. This requires a 50 ton press. **See Assembly of the Handle, Throttle Mechanism and Nozzle on Air Hammers Maintenance Information Manual Form 16574246.**

Retainer Type Chipper with Threaded Barrel Exploded Diagram

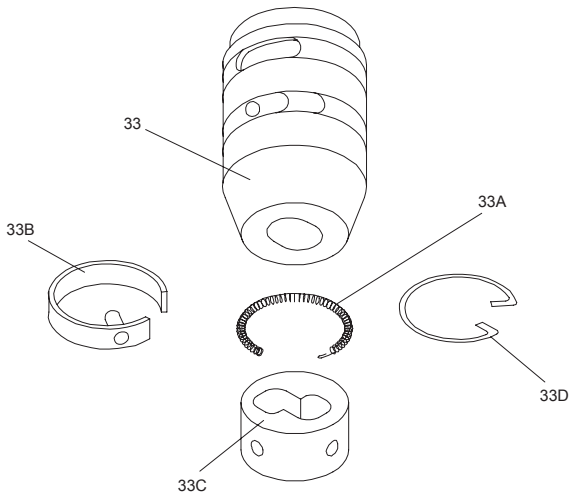
(for "W" Series)



(Dwg. TPD275)

Arrow Quick-Change Retainer Exploded Diagram

(for "A" Series)



(Dwg. TPD416)

"A" Series and "W" Series Retainer Assembly Parts List

Item	Part Description	Part Number
	Chisel Retainer Assembly (for "W" Series)	HHW1-A300
27	Chisel Retainer	HHW1-300
28	Rubber Buffer	H3R-203
29	Lower Buffer Washer (2 pieces)	HHW1-213
30	Lower Buffer Washer Ring	R000A2-103
31	Upper Buffer Washer (2 pieces)	H3R-31
32	Chisel Retainer Lock Spring	24SR-207
33	Arrow Retainer Plain Type (illustrated on Page 17) (for "A" Series)	HH1-1190
33	Arrow Quick-Change Type (illustrated above) (for "A" Series)	HH1-1191
33A	Lock Spring (for HH1-1190 and HH1-1191 Retainers)	HH1-1194
33B	Flat Spring and Pin (for No. HH1-1191 Retainer)	HH1-1191-2A
33C	Rotating Insert (for No. HH1-1191 Retainer)	HH1-1191-3
33D	Insert Spring (for No. HH1-1191 Retainer)	HH1-1191-4
34	Accessory (Ingersoll Rand offers a complete line of Chisels in a variety of Blades, Calking Tools, Beading Tools, Jacksets, Auto Jacksets and Star Drills. Inquire at nearest Office for types and prices)	---
*	Hose Nipple (1/2" hose to 1/4" male pipe)	H02-46
*	Muffler Assembly	HHW1-A674
*	Small Clamp	HHW1-675
*	Large Clamp	HHW1-676
*	Quick-Change Retainer (for "A" Series)	HH1-3400-3
*	Quick-Change Retainer (for "W" Series)	HHW1-3450
*	Economy Type Retainer (for "W" Series)	HHW2-200
*	Tapered Retainer (for "A" Series)	HH1-1197-IRC2
*	Plastic Lock Ring (for "A" Series)	ER-1194
*	Swivel Inlet	HH1-A165

* Not illustrated.

Maintenance Tools

Tool number for ordering	Tool name for ordering	Operation
34SR-54	Exhaust Deflector Pliers	Removing and installing Exhaust Deflector (21).
H02-119	Nozzle Ejection Arbor	Remove Nozzle (24) from the Barrel (23).
HH-607	Throttle Valve Guide Inserting Tool	Installing the Throttle Valve Guide (8) in the Inserting Tool Grip Handle (1).

Parts and Maintenance

When the life of the tool has expired, it is recommended that the tool be disassembled, degreased and parts be separated by material so that they can be recycled.

Tool repair and maintenance should only be carried out by an authorized Service Center.

Refer all communications to the nearest **Ingersoll Rand** Office or Distributor.

Related Documentation

For additional information refer to:

Product Safety Information Manual 04581450.

Product Information Manual 16574162.

Maintenance Information Manual 16574246.

Manuals can be downloaded from www.ingersollrandproducts.com.

Notes:

Notes:

www.ingersollrandproducts.com

© 2011 *Ingersoll Rand*

